

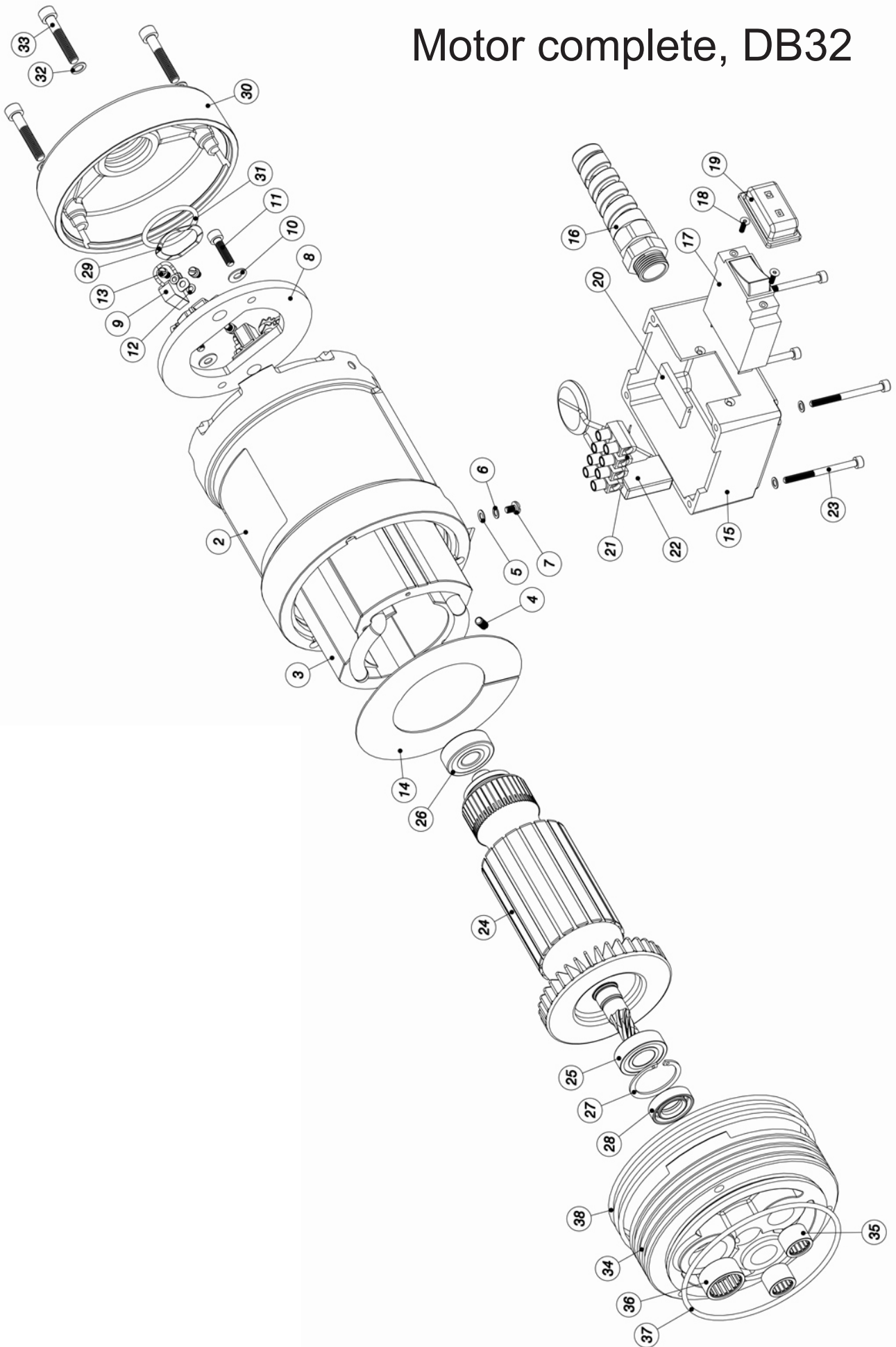
DB32

Parts Breakdown / *Diagramme de Pièces*



All rights reserved

Motor complete, DB32

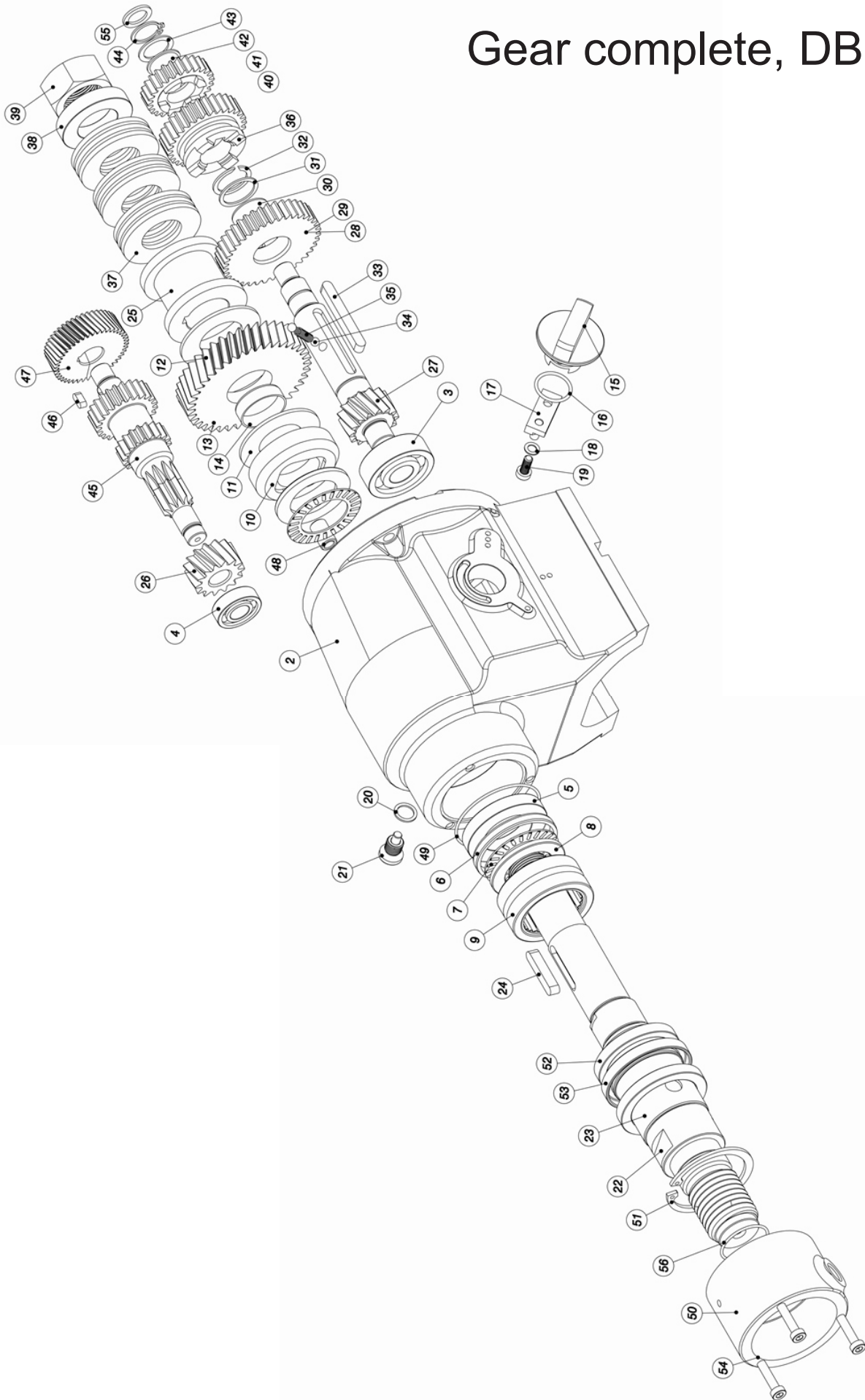


Motor complete, DB32

Item	Art. No.	Description	No.
1	300741	Motor complete	1
2	200839	Motor casing	1
3	401554	Magnet casing	1
4	900011	Hexagon socket set screw	1
5	900229	Washer	1
6	800076	Locking washer	5
7	900412	Flat-head screw	1
8	300068	Brush bridge	1
9	800064	Carbon brush	2 **
10	900180	Spring washer	2
11	900332	Cheese-head screw	2
12	900183	Wave spring washer	4
13	900399	Slotted cheese head screws	2
14	400036	Air baffle disc	1
15	302099	Switch box	1
16	802733	Cable grommet	1 **
17	801263	Toggle switch	1
18	900458	Countersunk screw	2
19	800174	Protective cap	1 **
20	401334	Cover plate	1
21	401667	Attempt current limiters	1
22	801354	Interference-suppression capacitor	1
23	900704	Hexagon socket head cap screw	4
24	400943	Armature	1
25	900483	Grooved ball bearings	1 **
26	900329	Grooved ball bearings	1 **
27	901094	Locking ring	1 **
28	900708	Shaft sealing ring	1 **
29	800122	Ball bearing compensating disc	1
30	300029	Bearing cap	1
31	800089	O ring	1 **
32	800077	Locking washer	3
33	900312	Allen bolt	3
Item	Art. No.	Description	No.
34	200379	Intermediate cover	1
35	900168	Needle sleeve	2 **
36	900156	Needle sleeve	1 **
37	800083	O ring	1 **
38	800354	O ring	3 **

Wearing parts**

Gear complete, DB32



Gear complete, DB32

Item	Art. No.	Description	No.
1	200134	Gear, complete	1
2	100080	Gear casing	1
3	900051	Grooved ball bearings	1 **
4	900495	Grooved ball bearings	1 **
5	900670	Interim washer	1
6	400795	Sleeve	1
7	900669	Axial needle rim	2 **
8	900672	Rotor disc	2 **
9	900671	Needle bearing	1 **
10	300670	Support disc	1
11	400011	Brake disc	2 **
12	401308	Floor wheel, complete	1
13	301051	Floor wheel	1
14	400798	Bearing sleeve	1 **
15	400048	Gear change shaft, complete	1
16	800097	O ring	1 **
17	400096	Gear change lever, complete	1
18	800075	Locking disc	1
19	900354	Allen bolt	1
20	900500	Sealing ring	1 **
21	401637	Sealing screw complete	1
22	301934	Drill spindle, complete	1
23	401964	Wave protection sleeve	1
23	400002	Wave protection sleeve optional	3
24	900110	Adjusting spring	1
25	400796	Bridge sleeve	1
26	300427	Pump wheel	1
27	301052	Pinion shaft	1
28	401310	Loose wheel 1, complete	1
29	301053	Loose wheel 1	1
30	400082	Bearing sleeve 1	1 **
31	400129	Adjusting washer	1
32	800080	Spring ring	1 **
33	900504	Adjusting spring	1
34	900014	Ball	2
35	800165	Bridge spring	1
36	301054	Gear change wheel	1
37	900663	Disc spring	9
38	401965	Compensation slice	1
39	401966	Hexagonal nut	1
40	401311	Loose wheel 2, complete	1
41	301055	Loose wheel 2	1
42	400083	Bearing sleeve 2	1 **
43	900163	Adjusting washer	1
44	900209	Locking ring	1 **
45	300872	Reduction gear shaft	1
46	900127	Adjusting spring	1
47	300754	Reduction gear wheel	1
48	900674	Bush	1
49	801059	O ring	1 **
50	400797	Connection ring	1
51	800760	Locking ring	1 **
52	900673	Shaft seal	1 **
53	900027	Shaft seal	2 **
54	900675	Allen bolt	3
55	900503	Adjusting washer	1
56	800092	O-Ring	1 **
57	801019	Gear lubricant oil 0,3 l	1 **

Wearing parts **